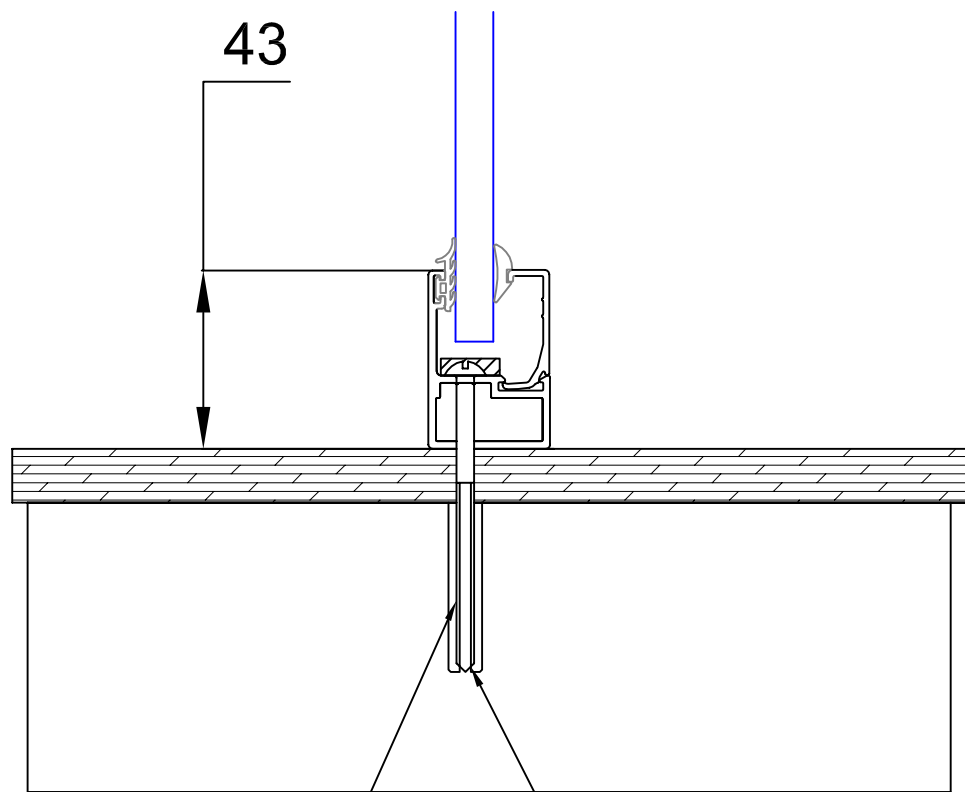
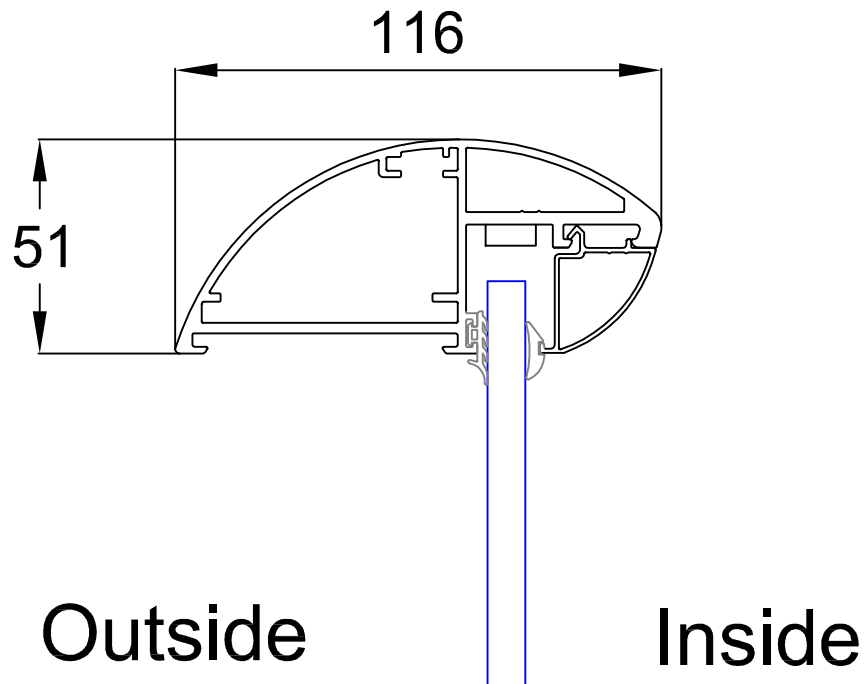


Balcony 2 system - Section



diameter for plug-6mm

every 450 mm