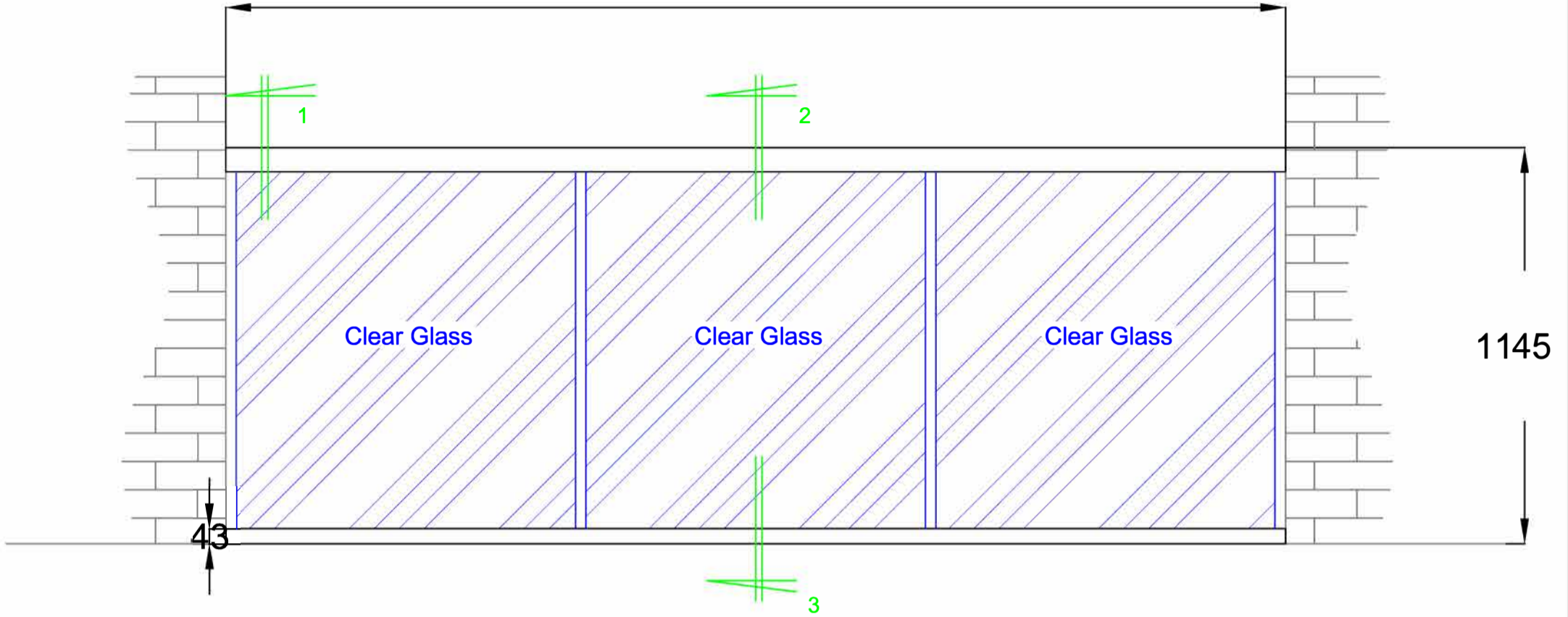


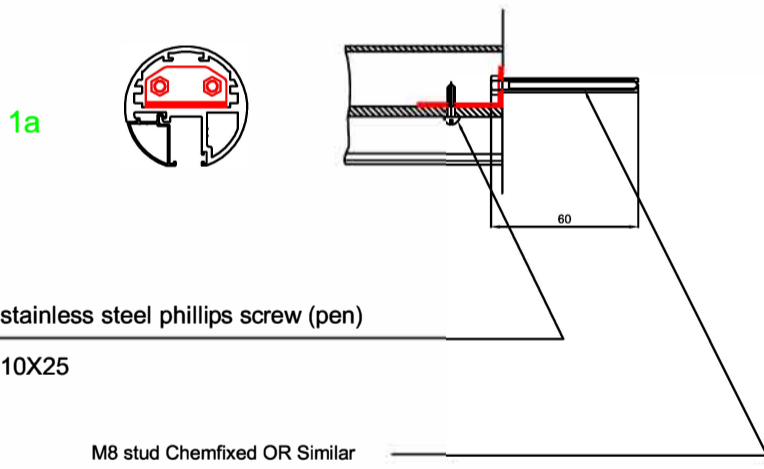
Orbit System Typical 3m elevation

3000

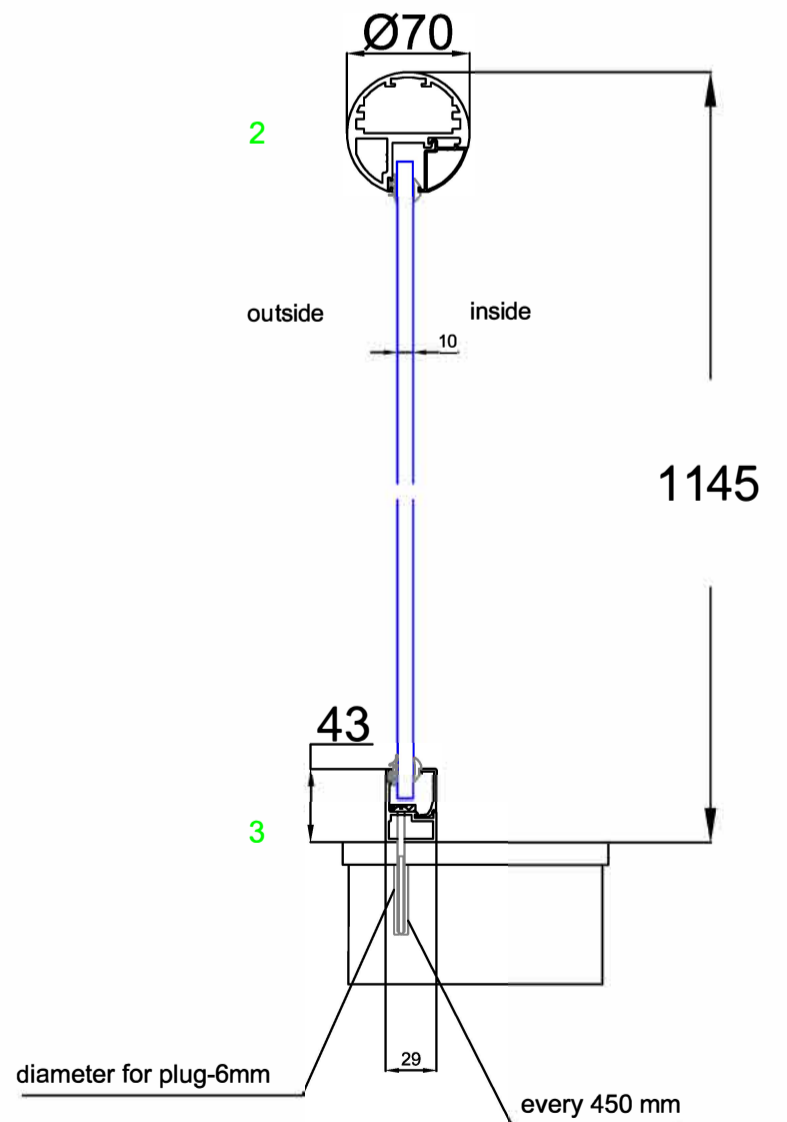


1. Orbit System Wall Bracket (concealed)

Can only be used on sections **not** fixing directly between two vertical surfaces



Orbit System Section



2. Orbit System Wall Bracket (Visible lower fixing)

Must be used on sections **fixing** directly between two vertical surfaces

