



The UK Network of Building Surveyors and Structural Engineers
www.surveyorsreports.co.uk
www.engineersreports.co.uk

1ERSL\20465
July 2012

STRUCTURAL CALCULATIONS

FOR

BALUSTRADES

USING BALCONY 1 SYSTEM HANDRAIL
WITH INTERNAL 58 x 4mm STEEL REINFORCING BAR
AND WITH 48.3mm DIAMETER X 5mm STEEL STANDARDS

BY

BALCONY SYSTEMS LIMITED



Balcony 1 System, handrail in white

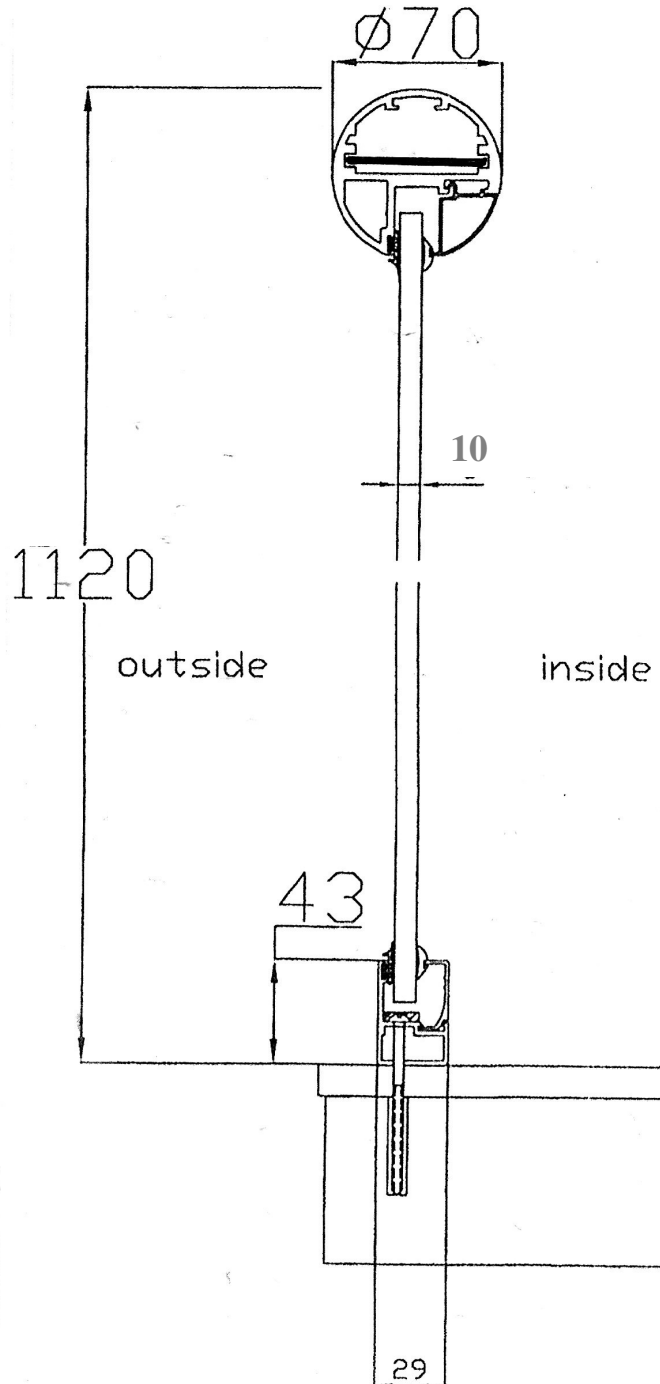
page 1 of 11

Prepared by : WRD Engineers Limited

Registered in England: No. 07977613 : The Stables, Rear of 60 The Avenue, SOUTHAMPTON, SO17 1XS
T D White CEng MICE MIHT MCI Arb * M D Royall ACGI BSc CEng MICE MCI Arb
* Philippa Dixon BSc CEng MICE



1ERSL\20465
July 2012



BALCONY 1 SYSTEM HANDRAIL WITH INTERNAL REINFORCING BAR

page 2 of 11



1ERSL\20465

July 2012

BALUSTRADE LOADS:

The balustrade is designed to resist the horizontal imposed loads specified in **Table 4 of BS 6399-1:1996** (see below), covering occupancy classes **A(i) and (ii), B(iii), (iv) and (v), C3(viii) and (ix), and (iii), (iv) and (iii).**

Handrail: The handrail is designed for a uniformly distributed horizontal imposed line load of 0.74 kN/m (164 pounds per metre approximately).

Glass infill: The glass infill is designed for a uniformly distributed load of 1.0 kN/m² (220 pounds per square metre approximately) plus a point load of 0.5 kN (110 pounds approximately).

**Table 4
Minimum horizontal imposed loads for parapets, barriers and balustrades, etc.**

Type of occupancy for part of the building or structure	Examples of specific use	Horizontal uniformly distributed line load (kN/m)	A uniformly distributed load applied to the infill (kN/m ²)	A point load applied to part of the infill (kN)
A Domestic and residential activities	(i) All areas within or serving exclusively one [A1] single family [A1] dwelling including stairs, landings, etc but excluding external balconies and edges of roofs (see C3 ix)	0.36	0.5	0.25
	(ii) Other residential, (but also see C)	0.74	1.0	0.5
B and E Offices and work areas not included elsewhere including storage areas	(iii) Light access stairs and gangways not more than 600mm wide	0.22	N/A	N/A
	(iv) Light pedestrian traffic routes in industrial and storage buildings except designated escape routes	0.36	0.5	0.25
	(v) Areas not susceptible to overcrowding in office and institutional buildings also industrial and storage buildings except as given above	0.74	1.0	0.5
C Areas where people may congregate C1/C2 Areas with tables or fixed seating	(vi) Areas having fixed seating within 530 mm of the barrier, balustrade or parapet	1.5	1.5	1.5
	(vii) Restaurants and bars	1.5	1.5	1.5
C3 Areas without obstacles for moving people and not susceptible to overcrowding	(viii) Stairs, landings, corridors, ramps	0.74	1.0	0.5
	(ix) External balconies and edges of roofs. Footways and pavements within building curtilage adjacent to basement/sunken areas	0.74	1.0	0.5
C5 Areas susceptible to overcrowding	(x) Footways or pavements less than 3 m wide adjacent to sunken areas	1.5	1.5	1.5
	(xi) Theatres, cinemas, discotheques, bars, auditoria, shopping malls, assembly areas, studio. Footways or pavements greater than 3 m wide adjacent to sunken areas	3.0	1.5	1.5
	(xii) [A1] Grandstands and stadia [A1]	See requirements of the appropriate certifying authority		
D Retail areas	(xiii) All retail areas including public areas of banks/building societies or betting shops. For areas where overcrowding may occur, see C5	1.5	1.5	1.5
F/G Vehicular	(xiv) Pedestrian areas in car parks including stairs, landings, ramps, edges or internal floors, footways, edges of roofs	1.5	1.5	1.5
	(xv) Horizontal loads imposed by vehicles	See clause 11		
[A1] Not deleted [A1]				



1ERSL\20465

July 2012

VERTICAL LOADS:

BS 6399-1:1996 also specifies that handrails shall be designed for a vertical uniformly distributed imposed line load of 0.60 kN/m or a concentrated load of 1.0 kN, whichever gives the worst design condition in combination with the horizontal loading in Table 4.

Vertical loads on the handrail are transmitted direct to the balcony structure through the 10mm thick thermally toughened safety glass. The concentrated load 1.0 kN is spread by the handrail. The maximum compressive stress on the glass is $600 / 10 \times 1000 = 0.06 \text{ N/mm}^2$. This is a low value of compressive stress and well within the safe allowable stress recommended by Pilkington Glass Ltd, the glass manufacturer.

ALUMINIUM PROPERTIES:

Design standard = BS 8118:Part 1:1991 '*The Structural use of aluminium*'.

Material type = Extruded aluminium type 6063 T5

Limiting stress for bending and overall yielding = $P_o = 110 \text{ N/mm}^2$ (Table 4.1)

Limiting stress for tension or compression = $P_s = 130 \text{ N/mm}^2$ (Table 4.1)

Limiting stress for shear = $P_v = 65 \text{ N/mm}^2$ (Table 4.1)

Factored resistance = Calculated member capacity based upon the limiting stresses P_o , P_s & P_v divided by the material factor γ_m

Material factor = $\gamma_m = 1.20$

FACTORED LOADS:

Factored loads are used for checking the limit state of static strength of a member.

The imposed loads tabulated on Page 3 are known as 'service loads'. These loads are multiplied by a load factor γ of 1.33 (Table 3.1) to give 'limit state' design loads that are used in relation to the factored resistance capacity of a member.

DEFLECTION:

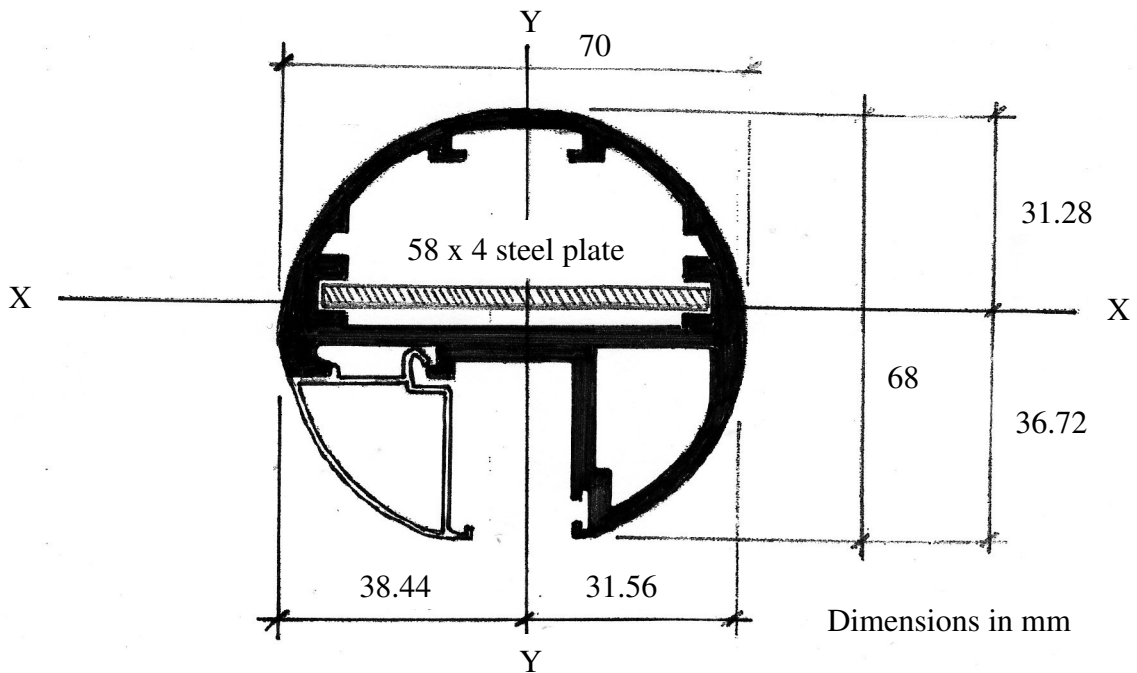
All structural members deflect to some extent under load.

For balustrade handrails the deflection is limited to 25mm under service load conditions.



1ERSL\20465
 July 2012

BALUSTRADES - Balcony 1 System handrail with internal 58 x 4mm reinforcing bar



Handrail section

Young's modulus of elasticity (aluminium)	=	E_a	=	70000 N/mm ²
Young's modulus of elasticity (steel)	=	E_s	=	205000 N/mm ²
Moment of inertia of the combined section about the y-y axis	=	I_{yy}	=	67 cm ⁴
Least section modulus about the y-y axis	=	Z_{yy}	=	$\frac{67}{3.844}$ = 17.43 cm ³



1ERSL\20465

July 2012

BALUSTRADES - Balcony 1 System handrail with reinforcing bar

$$\begin{aligned} \text{Moment capacity of handrail} &= \frac{(P_o) X Z_{yy}}{(Y_m)} \\ \text{for horizontal loads} &= \frac{110 \text{ N/mm}^2 \times 17.43 \text{ cm}^3 \times (10)^{-3}}{1.2} \\ &= 1.598 \text{ kNm} \end{aligned}$$

$$\begin{aligned} \text{Applied design load} &= 0.74 \times 1.33 \\ \text{(ultimate limit state)} &= 0.984 \text{ kN/m} \end{aligned}$$

$$\text{Horizontal moment on handrail} = \frac{w L^2}{8}$$

The handrail is restrained in the vertical direction by the toughened glass.

$$\text{Allowable span L between points of support based upon the moment capacity of the handrail} = \frac{(8 \times M)^{0.5}}{(w)}$$

$$\begin{aligned} L &= \frac{(8 \times 1.598)^{0.5}}{(0.984)} \\ &= 3.6 \text{ m} \end{aligned}$$

$$\begin{aligned} \text{Service load deflection based upon a simply supported span of 3.6m} &= \frac{5 w L^4}{384 E I} \\ &= \frac{5 (740 \times 3.6) (3600)^3}{384 \times 70000 \times 67 \times (10)^4} \\ &= 34.51 \text{ mm} \\ &= > 25 \text{ mm} \quad \therefore \text{ NOT OK} \end{aligned}$$

$$\begin{aligned} \text{Service load deflection based upon a simply supported span of 3.3m} &= \frac{5 (740 \times 3.3) (3300)^3}{384 \times 70000 \times 67 \times (10)^4} \\ &= 24.36 \text{ mm} \\ &= < 25 \text{ mm} \\ &= \text{ OK} \end{aligned}$$

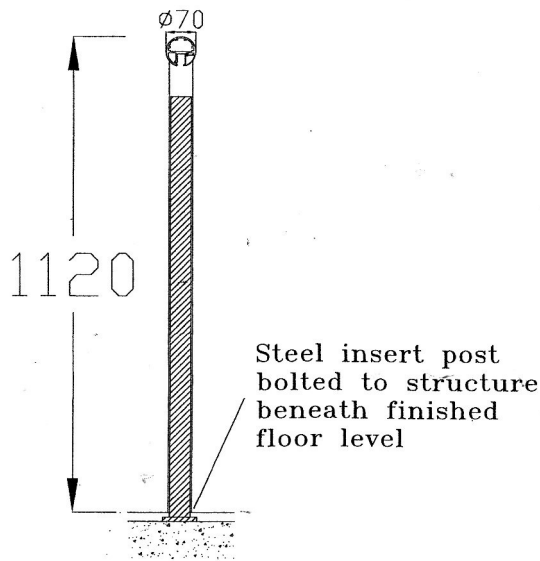


1ERSL\20465
July 2012

BALUSTRADES - Balcony 1 system handrail with reinforcing bar

On longer balconies, posts are installed at a maximum spacing of 1.9 m.

posts:



steel grade	=	S 275
post size	=	48.3 mm diameter x 5 mm thick
ultimate moment capacity (M_{cx})	=	2.21 kNm
second moment of area	=	16.2 cm ⁴
ultimate shear capacity	=	67.3 kN
ultimate horizontal design load on handrail	=	0.74 x 1.33
	=	0.984 kN/m

The design load on the handrail is applied 1.1m above the balcony slab level

ultimate design moment on posts	=	0.984 kN/m x 1.10
	=	1.0824 kNm/m
	=	2.057 kNm/post @ 1.9m centres
	=	< 2.21 kNm
	=	OK



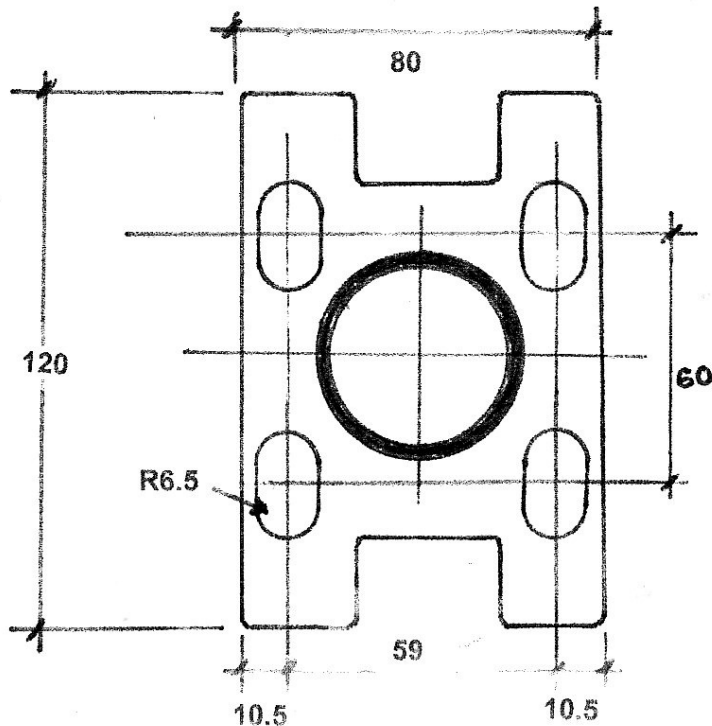
1ERSL\20465
July 2012

BALUSTRADES – Balcony 1 System handrail with internal reinforcing bar

Posts (continued)

$$\begin{aligned} \text{service load deflection} &= \frac{P L^3}{3 E I} \\ \text{on a post supporting} & \\ \text{a 1.9m length of handrail} & \\ &= \frac{(740 \times 1.9) (1100)^3}{3 \times 205000 \times 16.2 \times (10)^4} \\ &= 18.78\text{mm} \\ \text{service load deflection of} &= 2.68\text{mm} \\ \text{handrail based upon a simply} & \\ \text{supported span of 1.9m} & \\ \text{combined deflection} &= 21.46\text{mm} = < 25\text{mm} \\ \text{of post + handrail} &= \text{OK} \end{aligned}$$

Base plates and fixing bolts: posts at 1.9m maximum spacing





1ERSL\20465

July 2012

BALUSTRADES – Balcony 1 System handrail with internal reinforcing bar

Post base plates and fixing bolts (continued)

lever arm between bolt centres	=	60mm	
ultimate load pull out force on 2 No. bolts	=	$\frac{1.0824 \times 1.9}{0.06}$	
	=	34.28 kN	
	=	17.14 kN/bolt	(ultimate load)
	=	12.89 kN/bolt	(working load)

Wall fixings

The wall fixing consists of stainless steel angles bolted to the wall using 2 No. stainless steel resin anchor bolts and connected to the handrail using 2 No. stainless steel Phillips screws.

For the maximum allowable span of the handrail of 3.3 m between points of support, the horizontal load on each wall fixing is:

working load on wall fixing (shear force)	=	0.74 x 1.65
	=	1.221 kN
	=	0.61 kN / bolt

The horizontal load on the handrail is assumed to be applied to the fixing angles at the location of the Phillips screws, which are set 32 mm from the back of the angle. The wall fixing bolts are 27.5 mm apart. The resulting working load direct tension (pull-out) force on the bolts is:

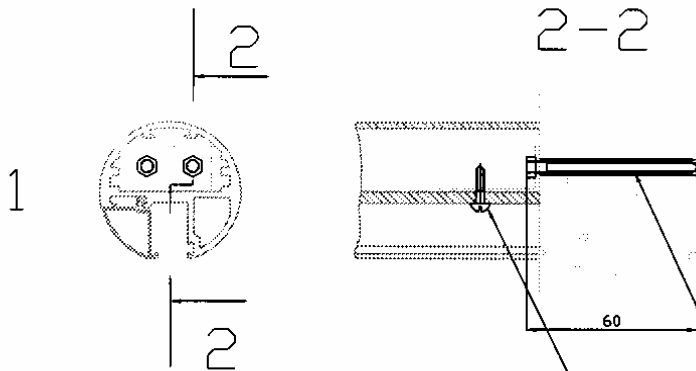
working load pull-out force on the wall fixing bolts	=	1.221 x 32 / 27.5
	=	1.42 kN / bolt



1ERSL\20465
July 2012

BALUSTRADES – Balcony 1 System handrail with internal reinforcing bar

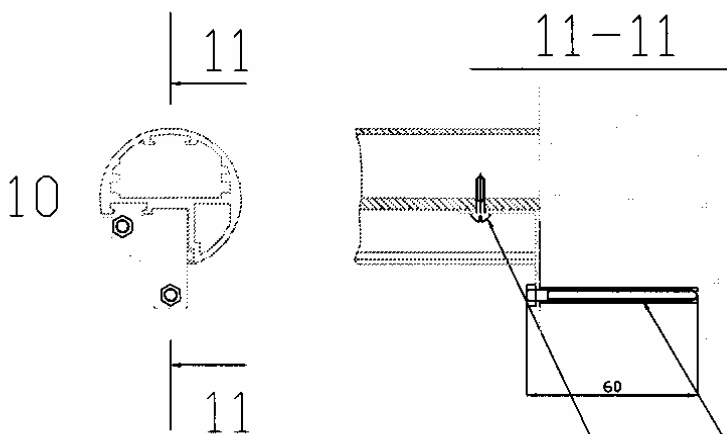
Wall fixings (continued)



stainless steel phillips screw (pen)

10X25

8mm stud chemfix or similar



stainless steel phillips screw (pen)

10X25

8mm chemfix stud or similar



1ERSL\20465

July 2012

BALUSTRADES – Balcony 1 System handrail with internal reinforcing bar

SUMMARY

1. On single span and corner balconies, the handrail is capable of supporting the design factored loads over spans up to 3.3 metres between points of support. (ie. a handrail wall fixing, or a handrail corner joint).
2. On longer balconies where the length of the balustrade exceeds 3.3 metres, vertical posts are installed at a maximum spacing of 1.9 metres. The posts are 48.3mm diameter x 5mm thick steel structural hollow sections sheathed in aluminium.
3. For the maximum allowable span between the centres of posts of 1.9 metres the working load pull-out force on each of the bolts on the post base plate is 12.89 kN.
4. For the maximum allowable span of 3.3 metres on single span and corner balconies, the horizontal working load shear force on each of the handrail wall fixing bolts is 0.61 kN. The co-existing working load pull-out force on each bolt is 1.42 kN.
5. The installers should satisfy themselves that the fixing bolts chosen are suitable to resist these loads, and also that the structure into which they are installed can support these loads.
6. The toughened glass panels were test loaded by an independent testing laboratory (Sandberg Consulting Engineers – report reference 26890/M) and found to be adequate to withstand the design factored loads specified in relevant British Standards.

END