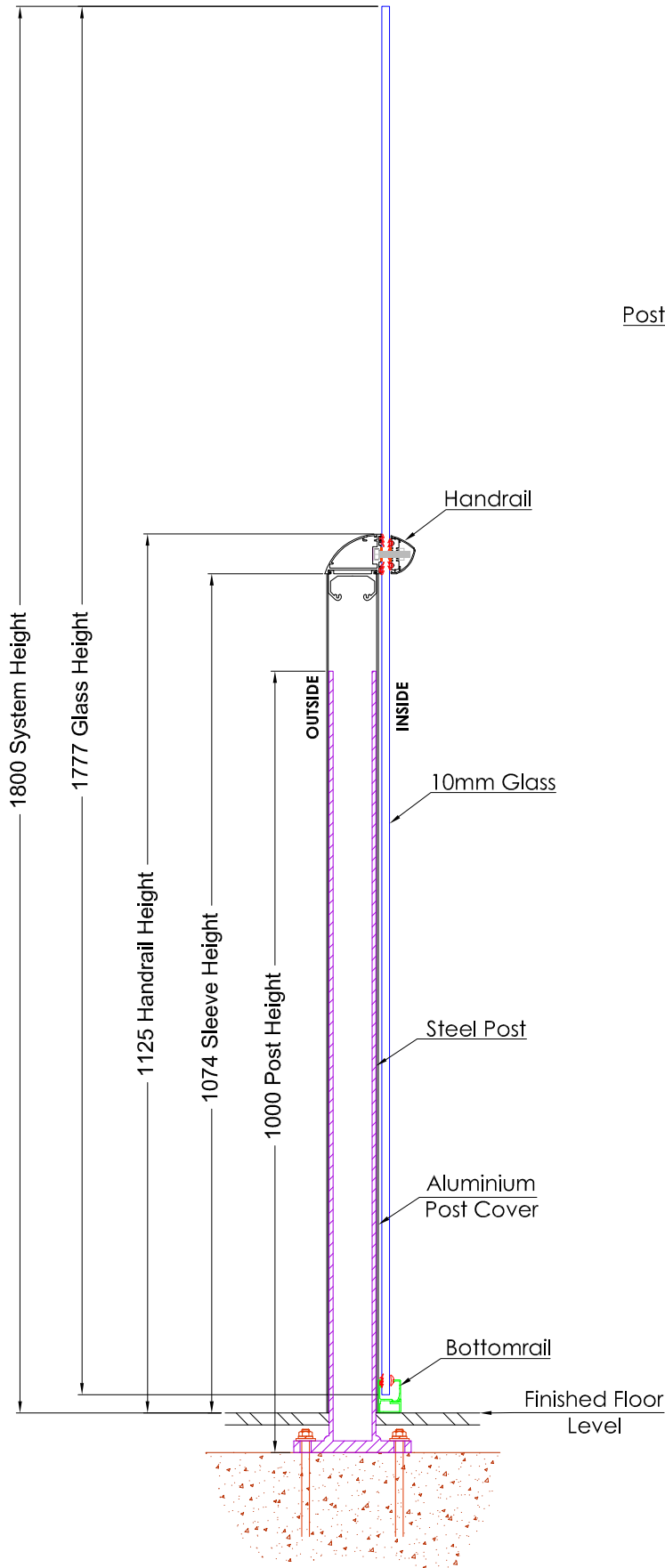
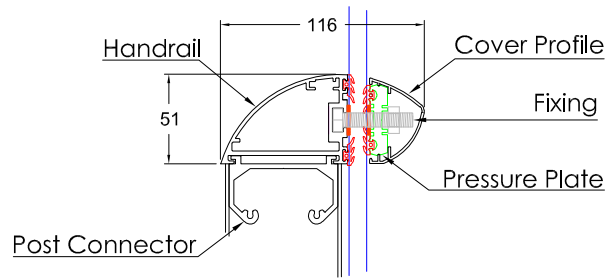


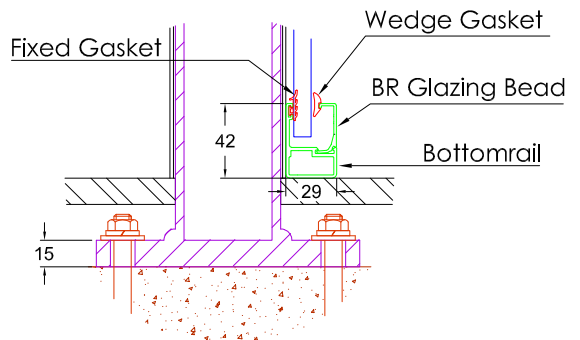
SECTION VIEW : SYSTEM



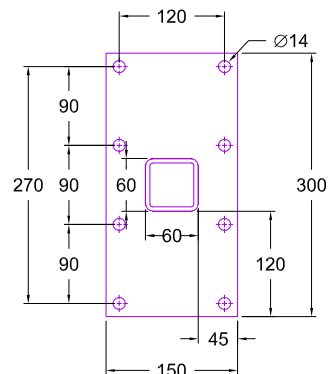
DETAILED VIEW : HANDRAIL



DETAILED VIEW : BOTTOMRAIL



PLAN VIEW : BASEPLATE



Signature:

Print Name:

Date:

UNLESS OTHERWISE STATED ALL DIMENSIONS IN MILLIMETERS. DO NOT SCALE FROM THIS DRAWING.
BALCONY SYSTEM SOLUTIONS LTD, UNIT 6 SYSTEMS HOUSE, EASTBOURNE ROAD, BLINDLEY HEATH, SURREY, RH7 6JP
TEL: 01342 410 411 FAX: 01342 410 412 WWW.BALCONETTE.CO.UK

IMPORTANT NOTE IF DOWNLOADED OR VIEWED ONLINE:
WE TRY TO KEEP ALL INFORMATION ON OUR WEBSITE UP TO DATE. BEFORE USING THE SIZES AND INFORMATION IN THIS DOCUMENT PLEASE CONTACT OUR TECHNICAL DEPARTMENT TO ENSURE THIS IS THE LATEST AND CORRECT DRAWING FOR THIS DETAIL. IT IS THE RESPONSIBILITY OF THE CUSTOMER/USER TO ENSURE TO CHECK THIS AND NO RESPONSIBILITY IS ACCEPTED BY BALCONETTE FOR ANY LOSS OR DAMAGE ARISING IN ANY WAY FROM RELYING ON THE INFORMATION IN THIS DOCUMENT WITHOUT CHECKING THIS WITH US FIRST.