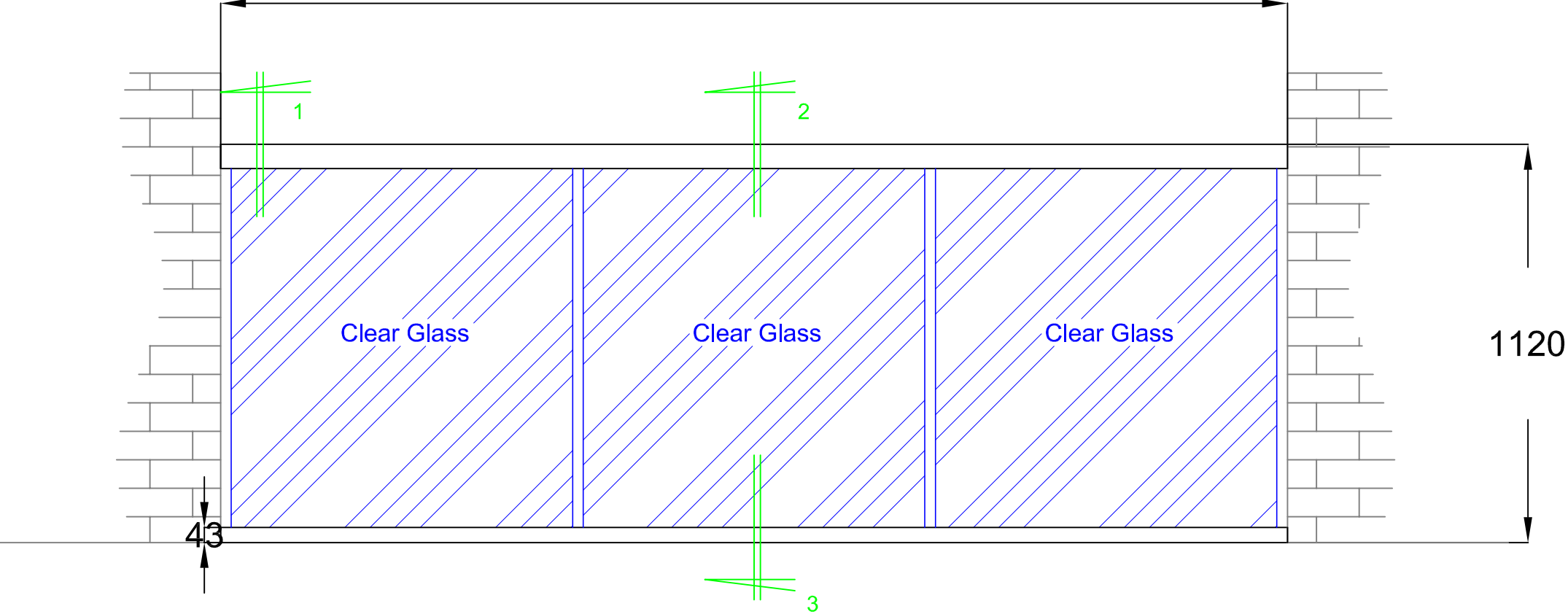


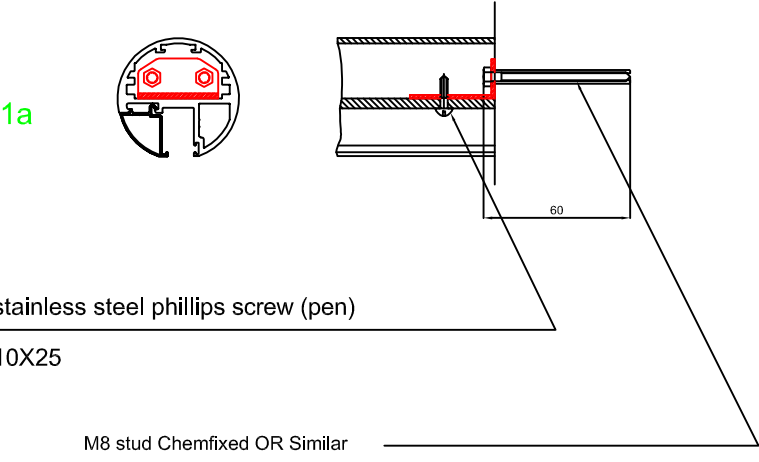
Balcony 1 System Typical 3m elevation

3000



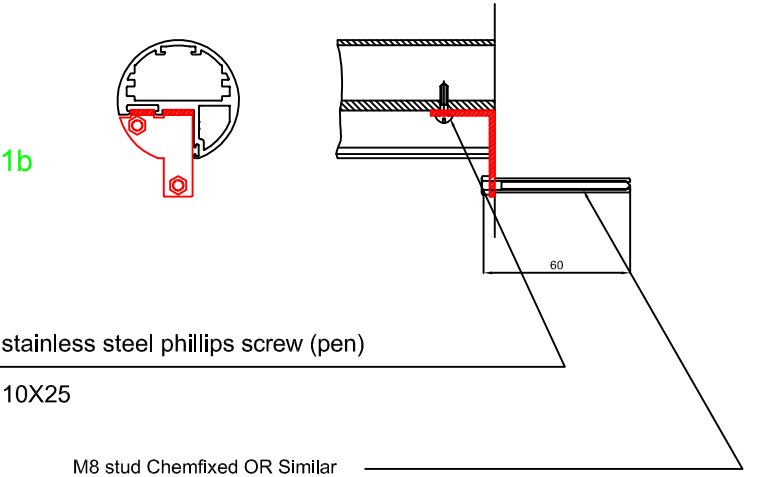
1. Balcony 1 System Wall Bracket (concealed)

Can only be used on sections **not** fixing directly between two vertical surfaces



2. Balcony 1 System Wall Bracket (Visable lower fixing)

Must be used on sections fixing directly between two vertical surfaces



Balcony 1 System Section

