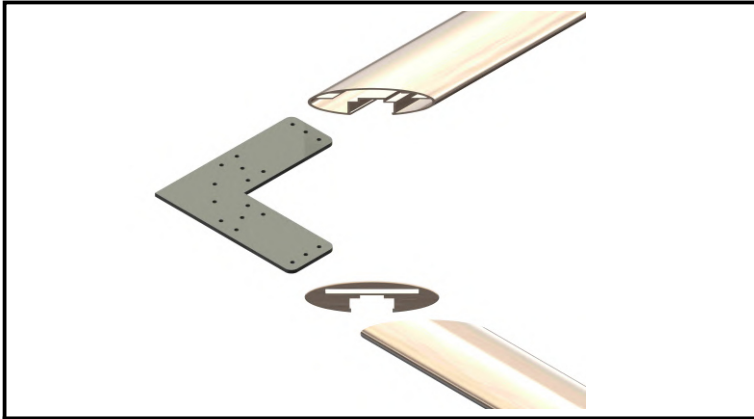




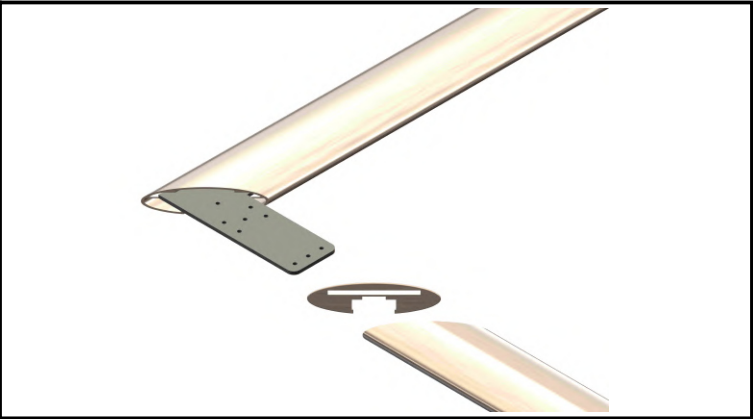
Frameless Glass Balustrade System (SG12) Installation Guide: Optional Handrail Installation

[Visit the web page here](#)

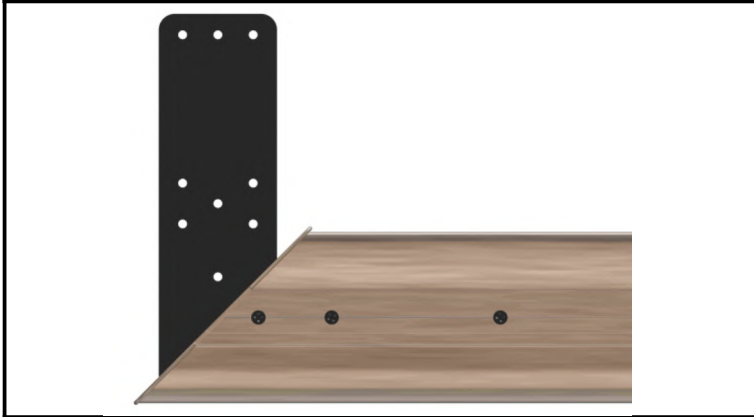




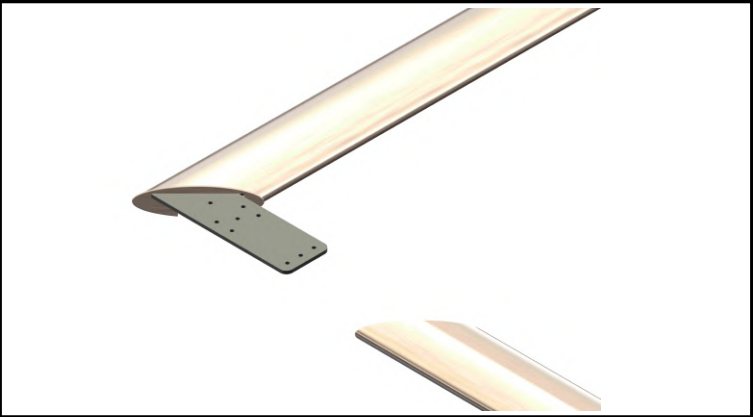
1) Prepare to assemble the handrail corner. (if applicable)



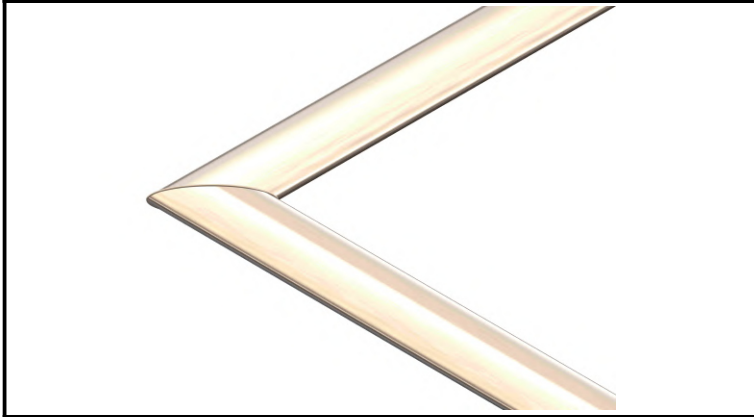
2) Slide the corner bracket into one of the handrails.



3) Tighten the screws.



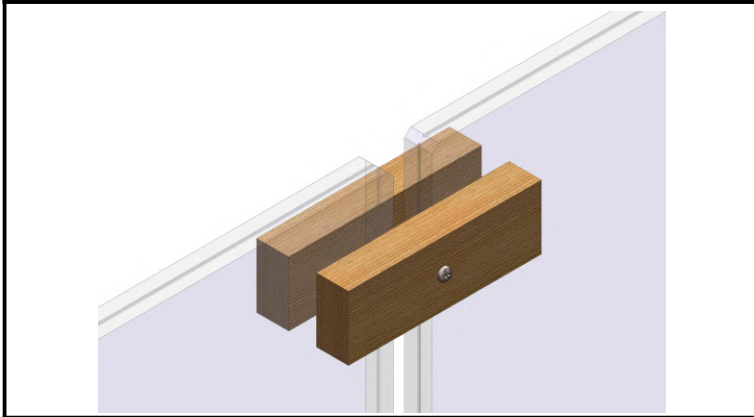
4) Slide the mitre protection plate onto the exposed corner bracket.



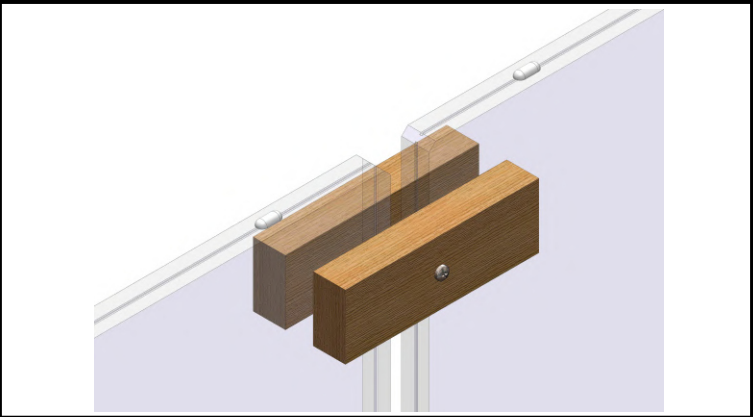
5) Slide the handrail onto the exposed corner bracket.



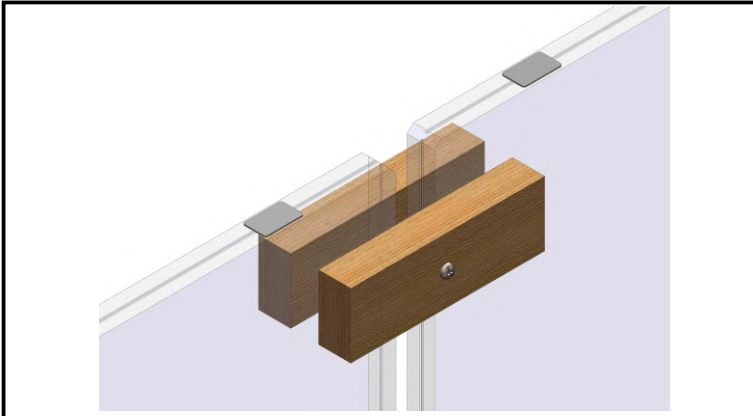
6) Tighten the screws. In this fashion assemble all the handrail parts and sections together.



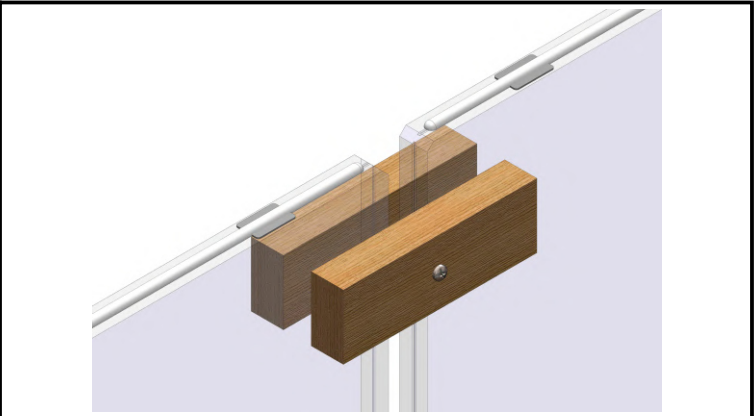
7) You can use two pieces of wood to clamp and align adjoining glasses together.



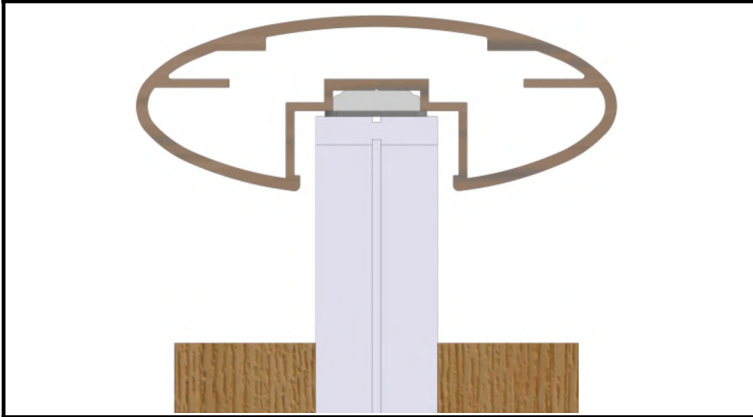
8) Apply a blob of silicone to the top of the glass panel 50mm in from the corner and then every 400 – 500mm as required (minimum 2 per glass).



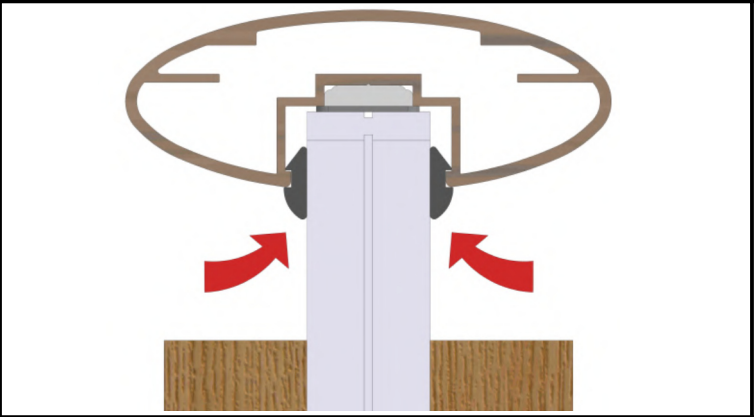
9) Place thin plastic packers onto the silicone.



10) Apply a thick bead of silicone to the top of the glass panels.



11) Gently place the handrail onto the top of the glass panel ensuring it is perfectly level.



12) Use rubber gaskets provided between the handrail and the glass. You may use soapy water to make inserting the gasket easier.